

Introduction

This is a professional hot wire cutter for insulation board
The block is ready in a few seconds by the release button

Recommended

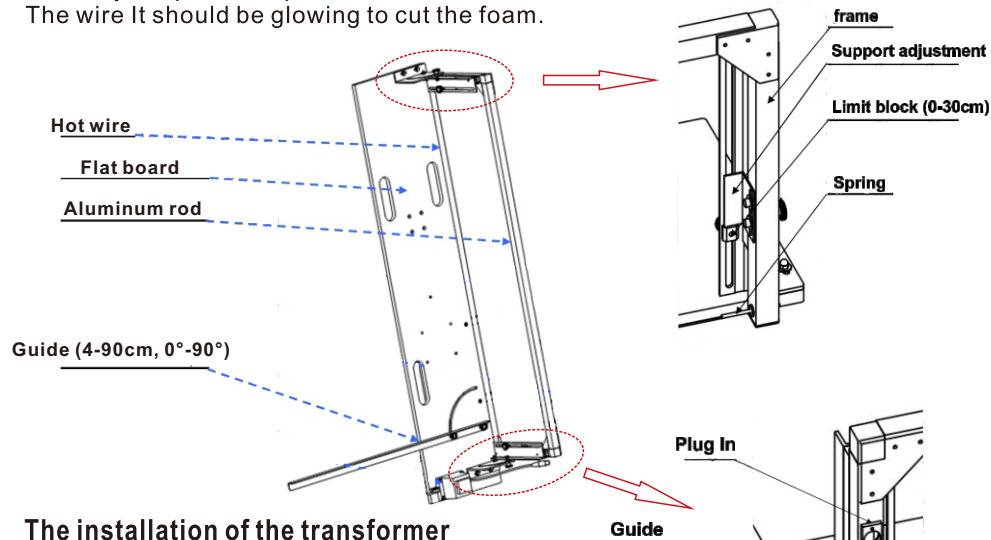
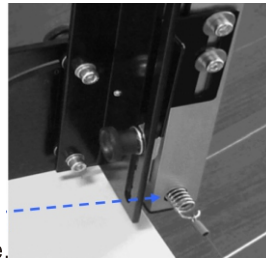
Polystyrene (EPS) extruded polystyrene (XPS), can be easily cut off and Cutting procedures.

Installation line

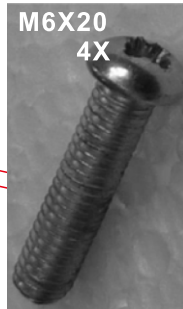
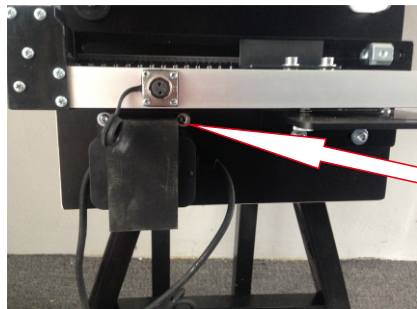
NOTE: Always unplug the power cord before installing or remove the wire.
Allow sufficient time for cooling holders of wire and wire (soft).
Insert one end of the wire into the hook of the first spring and at the same time pull (without exaggeration), then plug the other end of the wire in the second spring.

Warning

Excessive pressure button heating wire can cause damage to the transformer.
Use only the power required to make the cut.
The wire It should be glowing to cut the foam.



The installation of the transformer



Forms achievable

Rectangle		<ol style="list-style-type: none"> 1. Adjust grades vertical to 0°. 2. Adjust the guide to 0° 3. Cut by controlling the depth.
Ladder-shaped triangle		<ol style="list-style-type: none"> 1. Adjust grades vertical 0° 2. Adjust the guide to the cut to be made. 3. Cut controlling the depth.
Bevel cutting		<ol style="list-style-type: none"> 1. Adjust the degrees vertical by denomination to be carried out. 2. Adjust the guide to 0°. 3. Cut controlling depth
Gardens		<ol style="list-style-type: none"> 1. Adjust grades vertical to 0°. 2. Adjust driving at 0°. 3. Put the panel on driving. 4. Set the Limit Block to the desired thickness. 5. Vertical cut, then move the panel to the horizontal cut.
Canaletto		<ol style="list-style-type: none"> 1. Adjust grades vertical to 0°. 2. Adjust the guide to 0°. 3. Put the panel on the rail. 4. Lift the bow vertically. 5. Set the Limit Block to the desired thickness. 6. Vertical cut, then spstere panel forhorizontal cut according to the length of thegroove.

Technical features

Model	D6	D8	D9
Max. cutting length	1370mm	1200mm	870mm
Max. Cutting thick	300mm		
Guide	1000mm;0-90°	800mm;0-90°	600mm;0-90°
Weight	16kg	14kg	11kg
Dimensions	171cmX40.3cmX16cm	151cmX40.3cmX16cm	131cmX40.3cmX16cm
Transformer	40V/200W/230V/IP44	36V/160W/230V/IP44	32V/120W/230V/IP44
Length power cable	2.0m(Transformer to Power Supply); 1m(Transformer to Plug in of Frame)		
Operation blinking Can	15s on /45s off		

Work environment

- Do not expose the tool to rain.
- Do not use the tool in damp or wet.
- Keep your work area well lighted.
- Do not use the tool in presence of flammable liquid or gas.

Keep Away other people

- Do not let persons, especially children, the layman to touch the tool or extension cord. — Replace Tool.
- When not in use, the tool must be stored in a dry, locked out reach of children.
- Do not damage the cable. — Do not pull the cord to unplug.

Keep the cord away from heat sources

- Shutdown. — Warning.
- Do not use, before the replacement of the hot wire, disconnect the tool from the power supply.
- Use only original hot wire to avoid the risk of damaging the machine.
- Please have the instrument repaired by qualified personnel.